


# PRODUCT SHEET

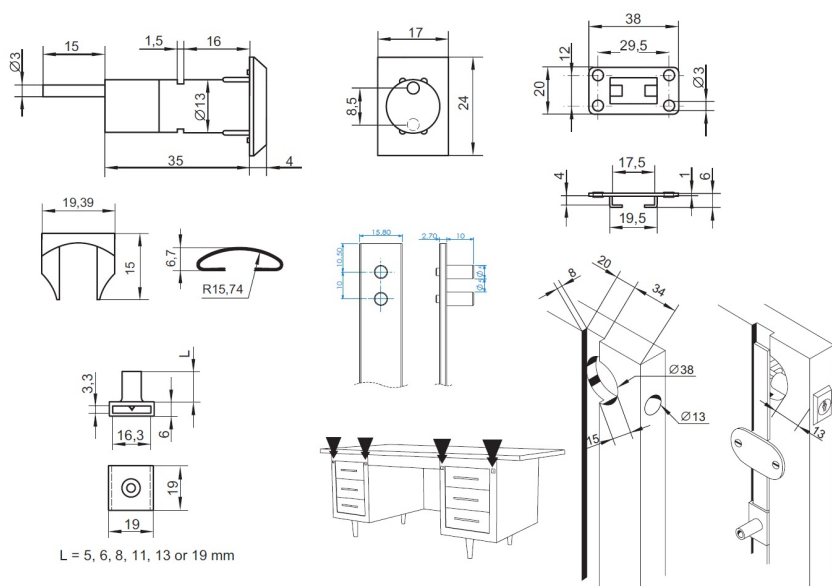
## Description:

Central Lock 4103/600mm, NPL, 8mm Pegs, HCK SISO, W/Accessories & Bar

## Item number:

14.04.034-0

| Units | Box | Carton | HS Code    | Barcode  |
|-------|-----|--------|------------|--|
| Pcs.  | 24  | 120    | 8301300000 |  |
|       |     |        |            | 5704866456654  |



## SISO A/S

Mileparken 11  
DK-2740 Skovlunde  
Denmark  
VAT: DK 24786013

Phone +45 45 830 900

[www.siso.dk](http://www.siso.dk)  
[siso@siso.dk](mailto:siso@siso.dk)

Danske Bank  
Nytorv Branch  
Copenhagen  
SWIFT: DABADKKK

Account no.  
4180 3112 112936  
IBAN Account  
DK7230003112112936